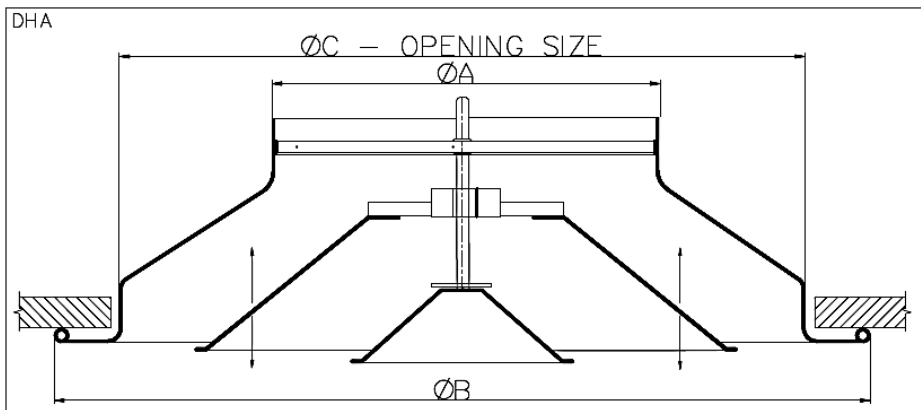




DHA



טבלת נתונים DHA

צוואר נטו A	חוץ B	פתח C	דגם
145	250	220	6-160
195	425	380	8-200
245	520	460	10-250
310	635	580	12-300
345	635	580	14-350
390	742	670	16-400

המפזר עשוי אלומיניום ומתאים להתקנה בתקרות גבוהות, בעל ליבה המאפשרת לכוון את זווית פיזור האוויר בין אנכי לאופקי.

אופציות:

- וסת פרפר

גימורים:

- צבעים לפי מלאי
- צבעי RAL שונים
- צבעי ART שונים

מידות:

קוטר כניסה: " 6 , " 8 , " 10 , " 12 , " 14 , " 16 •



PERFORMANCE DATA - DHA

	<i>fpm</i>	400	500	600	700	800	900	1000	1200	1400
<i>Nack size</i>	<i>fpm neck vel</i>	400	500	600	700	800	900	1000	1200	1400
	<i>Ps Horiz.</i>	0.025	0.039	0.056	0.076	0.1	0.126	0.156	0.225	0.304
	<i>Ps vert.</i>	0.049	0.076	0.109	0.149	0.194	0.247	0.305	0.44	0.594
6	CFM	75	94	113	132	151	169	188	226	264
	Throw	0.9 - 1.8	0.9 - 2.4	1 - 2.7	1.2 - 3.3	1.2 - 3.6	1.5 - 4.26	1.5 - 4.86	1.8 - 5.8	2.1 - 6.7
	NC	-	-	-	-	-	23	26	32	36
8	CFM	135	169	203	237	271	304	338	406	475
	Throw	0.9 - 2.7	0.9 - 3	1.2 - 3.6	1.2 - 3.9	1.5 - 4.57	1.8 - 5.1	2.1 - 6	2.4 - 7.5	3 - 8.7
	NC	-	-	-	20	24	28	31	37	42
10	CFM	215	265	320	370	425	480	530	640	745
	Throw	1.2 - 3.6	1.2 - 3.9	1.5 - 4.5	1.5 - 5.1	1.8 - 5.4	2.1 - 6	2.1 - 6.9	2.7 - 8.1	3.3 - 9.6
	NC	-	20	23	26	29	31	34	40	45
12	CFM	310	385	460	538	615	690	770	923	1075
	Throw	1.5 - 4.5	1.5 - 4.8	1.8 - 5.4	2.1 - 6	2.1 - 6.6	2.4 - 7.2	2.7 - 7.8	3.3 - 9.6	3.6 - 11
	NC	-	22	25	28	31	35	37	42	47
14	CFM	420	525	635	735	840	945	1050	1260	1470
	Throw	1.8 - 5.4	1.8 - 5.7	2.1 - 6.3	2.4 - 6.9	2.4 - 7.5	2.7 - 8.4	3.0 - 9.0	3.6 - 10.8	4.2 - 12.9
	NC	22	25	28	31	34	37	39	44	48
16	CFM	550	687	825	960	1100	1235	1375	1650	1920
	Throw	2.1 - 6.3	2.1 - 6.6	2.4 - 7.5	2.7 - 8.1	3.0 - 9.0	3.3 - 9.9	3.6 - 11.0	4.2 - 12.9	5.1 - 15
	NC	24	27	30	32	35	38	40	45	50
18	CFM	700	870	1045	1220	1395	1565	1745	2090	2440
	Throw	2.4 - 7.2	2.7 - 8.1	3.0 - 9.6	3.3 - 9.6	3.6 - 10.5	3.9 - 11.4	4.2 - 12.9	4.8 - 14.4	5.4 - 16.6
	NC	25	28	31	33	36	39	41	45	50
20	CFM	860	1075	1290	1510	1725	1940	2150	2585	3015
	Throw	2.7 - 8.1	3.0 - 9	3.3 - 9.6	3.6 - 10.8	3.9 - 11.7	4.2 - 12.9	4.8 - 14.1	5.7 - 16.9	6.6 - 19.6
	NC	27	30	32	35	37	39	41	45	50

PERFORMANCE DATA

Tabulated radial throw in meter is based on a 4 meter ceiling height, ambient supply air, MAX Throw @ $V_t = 75$ fpm,

MIN Throw @ $V_t = 150$ fpm, and the diffuser inner cones in down position for 360° horizontal air distribution pattern.

For vertical down protection air pattern with cooling supply air temperature 20° below room temperature and diffuser inner

cones in up position: multiply the tabulated radial throw values by a factor of 0.80 to obtain vertical down projection

distances at MIN and MAX (V_t) terminal velocities.

For vertical down projection air pattern with heating supply air temperatures 20° above room temperature and diffuser inner

cones in up position: multiply the tabulated radial throw values by a factor of 0.60 to obtain vertical down projection

distances at MIN and MAX (V_t) terminal velocities.

Velocity Pressure (P_v) and Static Pressure (P_s) are in inches of water.

All data is applicable for exposed for exposed duct mounting or ceiling installation

