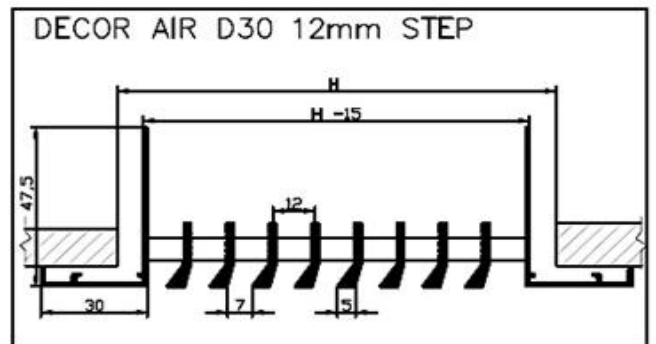
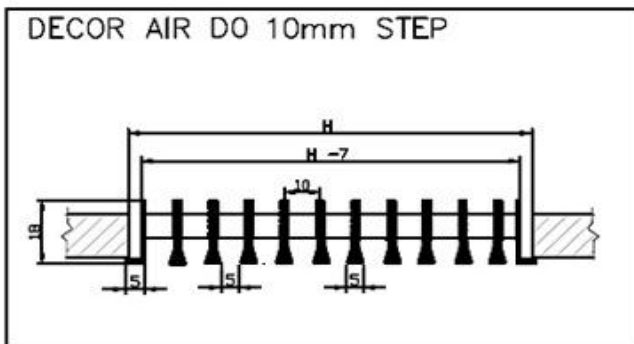
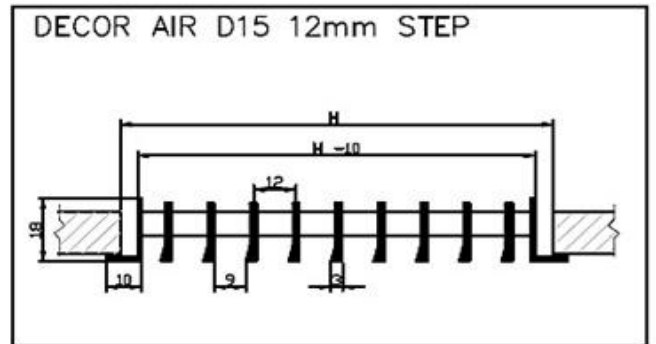
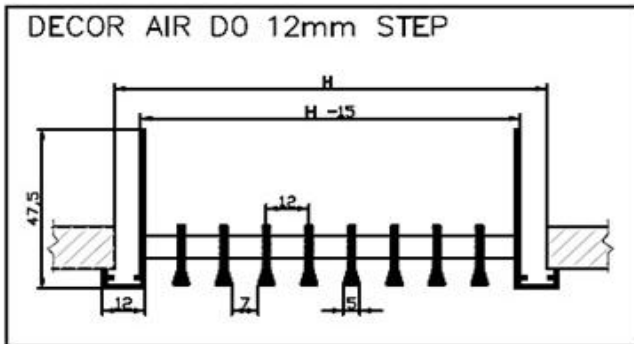
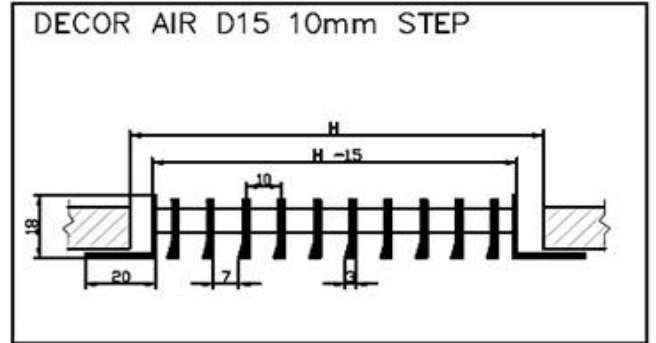
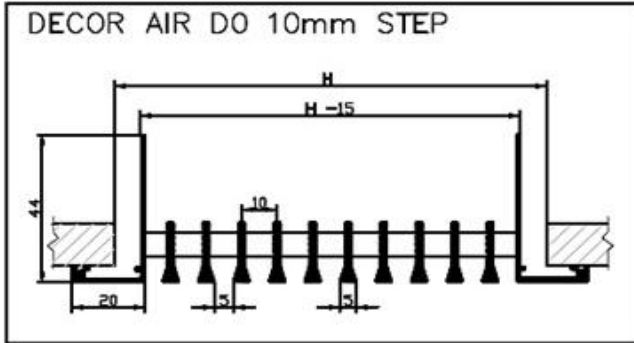
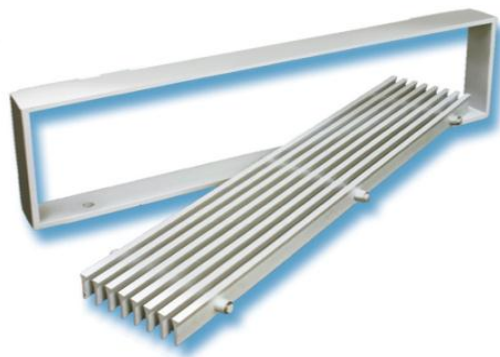
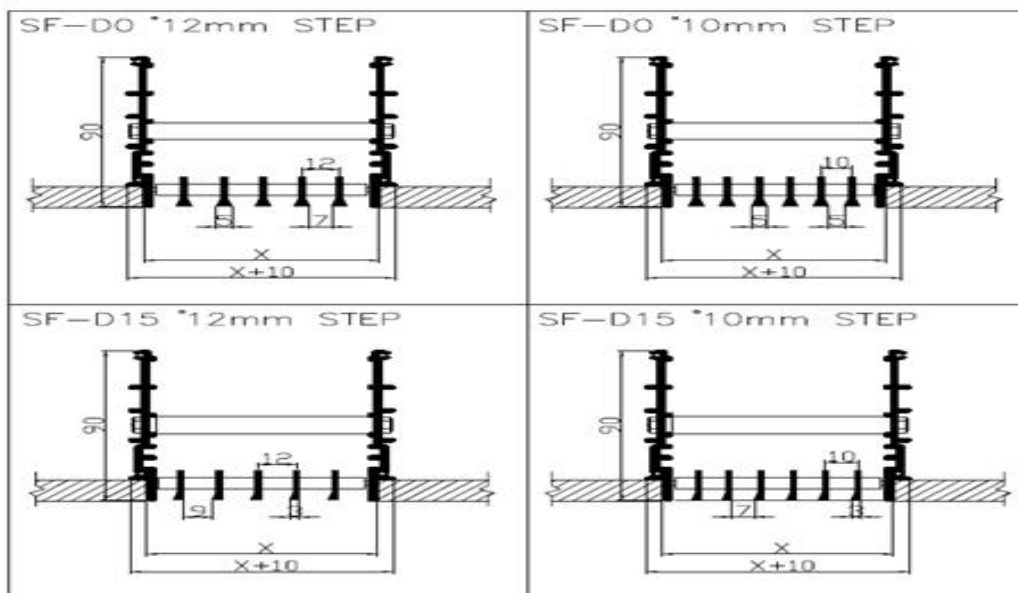


Décor D0 / D15 / D30

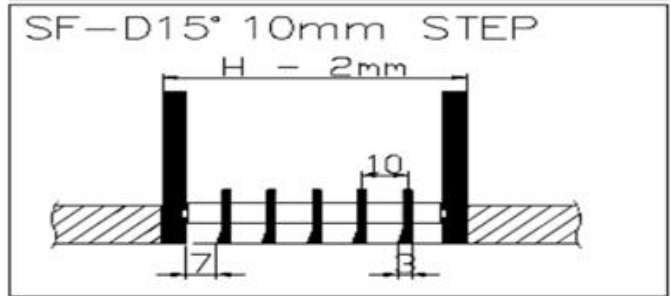
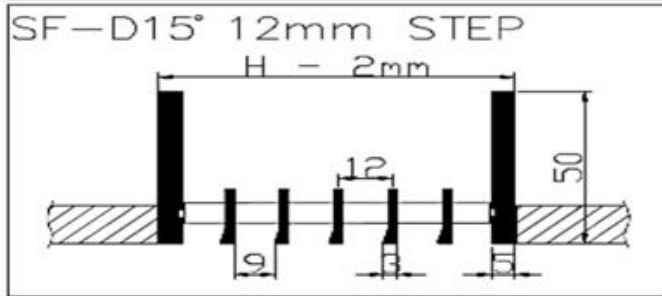
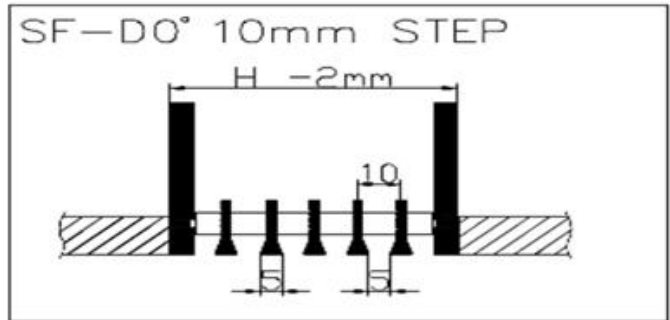
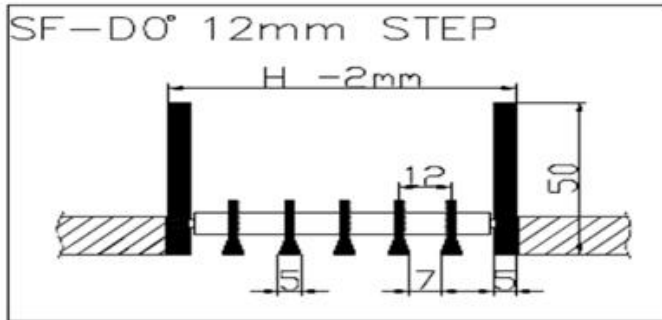




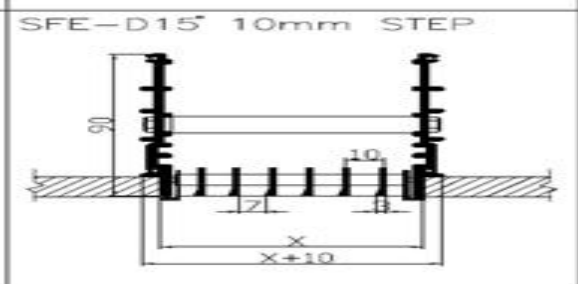
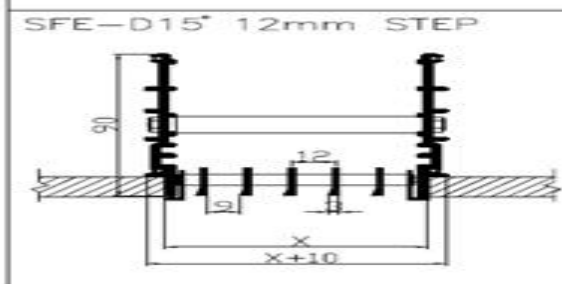
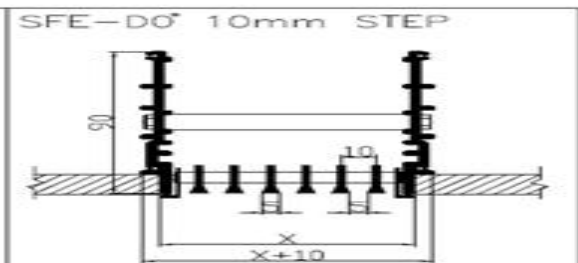
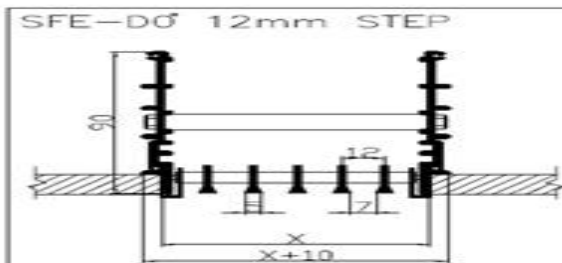
Décor SF



Décor SF



Décor SFE



מפזרים קוויים דקורטיביים, העשויים אלומיניום משוך ובעלי להבים קבועים.

אופציות:

- DO - לזריקת אוויר ישרה
- D15 - להטיה של 15 °
- D30 - להטיה של 30°
- משקוף עיזור
- קעור/קמור/קשתי (להתקנה על קירות קעורים או קמורים)
- התקדמות להבים 10 מ"מ – 12.5 מ"מ
- ניתן לקבל אותם עם או ללא וסתי כמות OBD (רגיסטר – R)

דגמים:

- S - תוספת שורה אחורית של להבים מתכוננים

גימורים:

- רוחב מסגרת: 5 מ"מ, 10 מ"מ, 12 מ"מ, 20 מ"מ, 32 מ"מ
- ניתן לקבל גם במסגרת שטוחה (זויתן)
- סטנדרט - צבע לבן שבור קלוי בתנור בגוון העדין והמיוחד של STUDIO
- צבעי RAL שונים
- צבעי ART שונים
- ציפוי אנודיז

מידות:

- לפי דרישה.
- התקני חיבור מאפשרים לחבר כל מספר של יחידות בודדות. במקרים כאלו חשוב ביותר שהמסגרות בקיר תהיינה ישרות.

התקנה:

- קפיצי מתיחה

Performance Data - D0, D15, D30 / FL / SF / SFE

The data of this table are for D0.

Regarding D15, you have to add 10% to the Throw.

And regarding D30, you have to add 20% to the Throw.

38 mm. Duct Height

Length mm.	Velocity M/S		2	3	4	5	6	7	8
	Rating	Application							
300	M ³ /H		36	53	71	87	104	121	139
	dbA							28	32
	Min-Max Throw, M.	Sidewall	1.5 - 2.1	1.8 - 2.7	2.4 - 4.0	3.7 - 4.9	4.3 - 5.8	4.9 - 6.4	5.5 - 7.6
		Sill & floor	1.2 - 2.1	1.5 - 2.1	2.1 - 3.4	2.7 - 4.0	3.4 - 4.9	3.7 - 5.2	4.6 - 6.1
600	M ³ /H		65	99	131	163	196	228	262
	dbA						27	31	35
	Min-Max Throw, M.	Sidewall	1.5 - 2.4	2.7 - 3.7	3.1 - 4.6	4.3 - 6.1	5.2 - 7.3	5.8 - 8.2	6.4 - 8.8
		Sill & floor	1.2 - 2.1	2.1 - 3.1	2.7 - 3.7	3.7 - 4.9	4.6 - 5.8	4.9 - 6.7	5.2 - 7.3
900	M ³ /H		100	150	201	250	299	350	400
	dbA						29	33	37
	Min-Max Throw, M.	Sidewall	1.8 - 2.7	3.1 - 4.3	3.7 - 5.2	4.6 - 6.4	5.5 - 7.6	6.4 - 8.8	7.3 - 10.1
		Sill & floor	1.5 - 2.1	2.4 - 3.4	3.1 - 4.3	4.0 - 5.2	4.6 - 6.1	5.2 - 7.0	6.1 - 8.2
1200	M ³ /H		134	202	269	337	405	471	539
	dbA					28	33	37	40
	Min-Max Throw, M.	Sidewall	2.1 - 3.1	3.4 - 4.6	4.3 - 6.1	5.5 - 7.6	6.4 - 9.1	7.6 - 10.4	8.2 - 11.9
		Sill & floor	1.8 - 2.4	2.7 - 3.7	3.7 - 4.9	4.6 - 6.1	5.5 - 7.3	6.1 - 7.9	7.3 - 9.8
1500	M ³ /H		170	253	338	423	508	593	677
	dbA					29	34	38	41
	Min-Max Throw, M.	Sidewall	2.4 - 3.4	2.4 - 3.4	4.6 - 6.4	5.8 - 8.2	7.6 - 10.1	8.2 - 11.6	9.4 - 13.4
		Sill & floor	1.8 - 2.7	1.8 - 2.7	4.0 - 5.2	4.9 - 6.7	4.9 - 6.7	6.1 - 7.9	7.9 - 10.7
1800	M ³ /H		204	306	408	510	612	714	816
	dbA					30	34	39	42
	Min-Max Throw, M.	Sidewall	2.4 - 3.7	4.0 - 5.5	5.2 - 7.3	6.4 - 9.1	7.9 - 10.7	9.1 - 12.2	10.4 - 14.3
		Sill & floor	2.1 - 3.1	3.4 - 4.9	4.6 - 5.8	5.5 - 7.3	6.4 - 8.5	7.6 - 10.1	8.5 - 11.6

Performance Data - D0, D15, D30 / FL / SF /SFE

The data of this table are for D0.

Regarding D15, you have to add 10% to the Throw.

And regarding D30, you have to add 20% to the Throw.

51 mm. Duct Height

Length mm.	Velocity M/S		2	3	4	5	6	7	8
	Rating	Application							
300	M ³ /H		56	83	112	139	167	196	223
	dbA						27	31	35
	Min-Max Throw, M.	Sidewall	1.5 - 2.1	2.1 - 3.1	3.1 - 4.3	3.7 - 5.2	4.3 - 6.1	5.2 - 7.3	5.8 - 8.2
		Sill & floor	1.2 - 1.8	1.5 - 2.4	2.4 - 3.4	3.1 - 4.3	3.4 - 4.9	4.3 - 5.8	4.6 - 6.7
600	M ³ /H		105	156	209	262	315	367	418
	dbA						30	34	37
	Min-Max Throw, M.	Sidewall	1.5 - 2.4	3.1 - 4.0	3.7 - 5.2	4.6 - 6.4	5.5 - 7.6	6.4 - 8.8	7.3 - 10.1
		Sill & floor	1.5 - 2.1	2.1 - 3.1	3.1 - 4.3	3.7 - 5.2	4.3 - 6.1	5.2 - 7.3	5.8 - 8.2
900	M ³ /H		160	241	321	401	481	561	643
	dbA					27	32	36	39
	Min-Max Throw, M.	Sidewall	2.1 - 3.1	3.4 - 4.6	4.3 - 6.1	5.5 - 7.6	6.4 - 9.1	7.6 - 10.7	8.5 - 12.2
		Sill & floor	1.5 - 2.4	2.4 - 3.7	2.4 - 3.7	4.3 - 6.1	5.2 - 7.3	6.1 - 8.5	7.0 - 9.8
1200	M ³ /H		216	325	432	541	649	757	865
	dbA					28	33	37	40
	Min-Max Throw, M.	Sidewall	2.4 - 3.4	3.7 - 5.2	4.6 - 6.7	6.1 - 8.5	7.6 - 10.4	8.5 - 11.9	9.8 - 13.7
		Sill & floor	1.8 - 2.7	2.7 - 4.0	3.7 - 5.2	4.6 - 6.4	5.5 - 7.9	6.4 - 9.1	7.3 - 10.4
1500	M ³ /H		272	408	544	680	816	952	1088
	dbA					29	34	38	41
	Min-Max Throw, M.	Sidewall	2.4 - 3.7	4.0 - 5.5	5.2 - 7.3	6.4 - 9.1	7.9 - 11.0	9.1 - 12.8	10.7 - 14.6
		Sill & floor	1.8 - 2.7	3.1 - 4.3	4.0 - 5.5	4.9 - 7.6	5.8 - 8.2	6.7 - 9.8	7.9 - 11.0
1800	M ³ /H		328	491	656	819	983	1148	1311
	dbA					30	35	39	42
	Min-Max Throw, M.	Sidewall	2.4 - 3.7	4.3 - 5.8	5.5 - 7.6	6.7 - 9.4	8.2 - 11.3	9.4 - 13.1	10.4 - 14.9
		Sill & floor	1.8 - 2.7	3.1 - 4.3	4.3 - 5.8	5.2 - 7.3	6.1 - 8.5	7.0 - 10.1	7.9 - 11.6

Performance Data - D0, D15, D30 / FL / SF / SFE

The data of this table are for D0.

Regarding D15, you have to add 10% to the Throw.

And regarding D30, you have to add 20% to the Throw.

63.5 mm. Duct Height

Length mm.	Velocity M/S		2	3	4	5	6	7	8
	Rating	Application							
300	M ³ /H		78	117	156	196	223	235	274
	dbA						28	32	35
	Min-Max Throw, M.	Sidewall	1.5 - 2.4	2.4 - 3.7	3.1 - 4.6	4.3 - 5.8	4.9 - 7.0	5.8 - 8.2	5.8 - 8.2
		Sill & floor	1.2 - 1.8	1.8 - 2.7	2.4 - 3.7	3.4 - 4.9	4.3 - 5.8	4.6 - 6.7	4.6 - 6.7
600	M ³ /H		146	221	294	367	440	513	588
	dbA						31	35	38
	Min-Max Throw, M.	Sidewall	1.8 - 2.7	3.1 - 4.3	4.3 - 5.8	5.2 - 7.3	6.1 - 8.5	7.0 - 10.1	8.5 - 11.6
		Sill & floor	1.5 - 2.4	2.4 - 3.4	3.1 - 4.6	4.3 - 5.8	4.9 - 7.0	5.8 - 8.2	6.4 - 9.1
900	M ³ /H		224	338	451	563	675	787	901
	dbA					28	33	37	40
	Min-Max Throw, M.	Sidewall	2.4 - 3.4	3.7 - 5.2	4.9 - 7.0	6.1 - 8.5	7.3 - 10.4	8.2 - 11.9	9.8 - 13.7
		Sill & floor	1.8 - 2.7	2.7 - 4.0	3.7 - 5.2	4.6 - 6.7	5.4 - 7.9	6.4 - 9.1	7.3 - 10.4
1200	M ³ /H		303	456	607	758	910	1061	1214
	dbA					29	34	38	41
	Min-Max Throw, M.	Sidewall	2.4 - 3.7	4.0 - 5.5	5.2 - 7.3	6.4 - 9.1	7.9 - 11.0	9.1 - 12.8	10.4 - 14.6
		Sill & floor	1.8 - 2.7	3.1 - 4.3	4.3 - 5.8	5.2 - 7.3	6.1 - 8.5	7.0 - 10.1	7.9 - 11.6
1500	M ³ /H		380.8	571	763	954	1144	1335	1527
	dbA					30	35	39	42
	Min-Max Throw, M.	Sidewall	2.7 - 4.0	4.3 - 5.8	5.5 - 7.9	7.0 - 10.1	8.2 - 11.9	10.1 - 14.0	11.3 - 15.8
		Sill & floor	2.1 - 3.1	3.1 - 4.6	4.3 - 6.1	5.5 - 7.6	6.4 - 9.1	7.6 - 10.7	8.5 - 12.2
1800	M ³ /H		459	690	920	1149	1379	1608	1838
	dbA					31	36	40	43
	Min-Max Throw, M.	Sidewall	3.1 - 4.3	4.6 - 6.4	6.1 - 8.5	7.3 - 10.4	8.8 - 12.5	10.4 - 14.6	11.9 - 16.8
		Sill & floor	2.4 - 3.4	3.4 - 4.9	4.6 - 6.7	5.8 - 8.2	6.7 - 9.8	8.5 - 11.6	9.4 - 13.1

Performance Data - D0, D15, D30 / FL / SF / SFE

The data of this table are for D0.

Regarding D15, you have to add 10% to the Throw.

And regarding D30, you have to add 20% to the Throw.

76 mm. Duct Height

Length mm.	Velocity M/S		2	3	4	5	6	7	8
	Rating	Application							
300	M ³ /H		99	150	199	248	298	347	398
	dbA						29	33	36
	Min-Max Throw, M.	Sidewall	1.5 - 2.4	2.7 - 4.0	3.7 - 5.2	4.6 - 6.4	5.5 - 7.6	6.4 - 9.1	7.3 - 10.4
		Sill & floor	1.2 - 2.1	2.1 - 3.1	2.7 - 4.0	3.4 - 4.9	4.3 - 6.1	4.9 - 7.0	5.5 - 7.9
600	M ³ /H		187	279	372	466	559	653	745
	dbA					27	32	36	39
	Min-Max Throw, M.	Sidewall	2.1 - 3.1	3.4 - 4.9	4.6 - 6.4	5.5 - 7.9	6.7 - 9.4	7.9 - 11.0	9.1 - 12.8
		Sill & floor	1.5 - 2.4	2.4 - 3.7	3.4 - 4.9	4.3 - 6.1	5.2 - 7.3	6.1 - 8.5	6.7 - 9.8
900	M ³ /H		286	428	571	714	857	1000	1142
	dbA					29	34	38	41
	Min-Max Throw, M.	Sidewall	2.4 - 3.7	4.0 - 5.5	5.2 - 7.3	6.4 - 9.1	7.9 - 11.0	9.1 - 12.8	10.1 - 14.6
		Sill & floor	1.8 - 2.7	3.1 - 4.3	4.0 - 5.5	4.9 - 7.0	6.1 - 8.5	6.7 - 9.8	7.9 - 11.3
1200	M ³ /H		384	578	770	962	1154	1346	1540
	dbA					30	35	39	42
	Min-Max Throw, M.	Sidewall	2.7 - 4.0	4.3 - 5.8	5.5 - 7.9	6.7 - 7.0	8.2 - 11.9	9.8 - 13.7	11.0 - 15.8
		Sill & floor	2.1 - 3.1	3.4 - 4.6	4.3 - 6.1	5.5 - 7.6	6.7 - 9.4	7.9 - 11.0	8.8 - 12.5
1500	M ³ /H		484.5	726	969	1210	1452	1695	1936
	dbA					31	36	40	43
	Min-Max Throw, M.	Sidewall	3.1 - 4.3	4.6 - 6.4	6.1 - 8.5	7.6 - 10.7	9.1 - 12.8	10.4 - 14.9	12.2 - 17.1
		Sill & floor	2.4 - 3.4	3.4 - 4.9	4.6 - 6.7	5.8 - 8.2	7.0 - 10.1	7.9 - 11.6	9.4 - 13.4
1800	M ³ /H		583	876	1166	1459	1751	2042	2334
	dbA					32	37	41	44
	Min-Max Throw, M.	Sidewall	3.4 - 4.6	4.6 - 6.7	6.1 - 8.8	8.2 - 11.3	9.4 - 13.4	11.3 - 15.8	12.5 - 18.0
		Sill & floor	2.4 - 3.7	4.0 - 5.5	4.9 - 7.0	6.4 - 8.8	7.6 - 10.7	8.8 - 12.5	10.4 - 14.3

Performance Data - D0, D15, D30 / FL / SF /SFE

The data of this table are for D0.

Regarding D15, you have to add 10% to the Throw.

And regarding D30, you have to add 20% to the Throw.

89 mm. Duct Height

Length mm.	Velocity M/S		2	3	4	5	6	7	8
	Rating	Application							
300	M ³ /H		121	180	241	301	360	422	481
	dbA						30	34	38
	Min-Max Throw, M.	Sidewall	1.8 - 2.7	3.1 - 4.3	4.0 - 5.5	4.9 - 7.0	5.8 - 8.2	6.7 - 9.8	7.9 - 11.0
		Sill & floor	1.5 - 2.1	2.4 - 3.4	3.1 - 4.3	4.0 - 5.5	4.6 - 6.4	5.5 - 7.6	6.1 - 8.5
600	M ³ /H		226	338	452	564	677	791	903
	dbA					28	33	37	40
	Min-Max Throw, M.	Sidewall	2.4 - 3.4	3.4 - 4.9	4.6 - 6.7	5.8 - 8.2	7.0 - 10.1	7.9 - 11.6	9.4 - 13.4
		Sill & floor	1.8 - 2.7	2.7 - 4.0	3.4 - 5.0	4.6 - 6.7	5.5 - 7.9	6.4 - 9.1	7.6 - 10.7
900	M ³ /H		347	519	692	865	1039	1210	1384
	dbA					30	35	39	42
	Min-Max Throw, M.	Sidewall	2.7 - 4.0	4.3 - 5.8	5.5 - 7.6	6.7 - 9.8	7.9 - 11.6	9.4 - 13.4	10.7 - 15.2
		Sill & floor	2.1 - 3.1	3.1 - 4.6	4.3 - 6.1	5.2 - 7.3	6.4 - 11.9	7.3 - 10.4	8.2 - 11.9
1200	M ³ /H		466	700	933	1166	1399	1632	1867
	dbA					31	36	40	43
	Min-Max Throw, M.	Sidewall	3.1 - 5.2	4.6 - 6.4	5.8 - 8.2	7.3 - 10.4	8.8 - 12.5	10.1 - 14.6	11.9 - 16.8
		Sill & floor	2.4 - 3.4	3.4 - 4.9	4.6 - 6.7	5.8 - 8.2	6.7 - 9.8	7.9 - 11.3	9.1 - 13.1
1500	M ³ /H		587	881	1173	1467	1761	2054	2348
	dbA					32	37	41	44
	Min-Max Throw, M.	Sidewall	3.1 - 4.6	4.6 - 6.7	6.4 - 9.1	7.9 - 11.3	9.4 - 13.4	11.0 - 15.8	12.5 - 18.0
		Sill & floor	2.4 - 3.7	3.7 - 5.2	4.9 - 7.0	6.4 - 8.8	7.3 - 10.4	8.5 - 12.2	10.1 - 14.0
1800	M ³ /H		707	1061	1414	1768	2122	2475	2829
	dbA				27	33	38	42	45
	Min-Max Throw, M.	Sidewall	4.9 - 4.9	5.2 - 7.3	7.0 - 9.8	8.5 - 12.2	10.4 - 14.3	11.9 - 16.8	13.4 - 19.2
		Sill & floor	3.7 - 3.7	4.0 - 5.5	5.5 - 7.6	6.7 - 9.4	7.9 - 11.3	9.4 - 13.1	10.4 - 14.9

Performance Data - D0, D15, D30 / FL / SF /SFE

The data of this table are for D0.

Regarding D15, you have to add 10% to the Throw.

And regarding D30, you have to add 20% to the Throw.

101.5 mm. Duct Height

Length mm.	Velocity M/S		2	3	4	5	6	7	8
	Rating	Application							
300	M ³ /H		141	213	282	354	425	495	566
	dbA						30	34	38
	Min-Max Throw, M.	Sidewall	2.1 - 3.1	3.1 - 4.3	4.0 - 5.8	5.2 - 7.3	6.4 - 8.8	7.0 - 10.1	7.9 - 11.6
		Sill & floor	1.5 - 2.4	2.4 - 3.4	3.4 - 4.6	4.0 - 5.8	4.9 - 7.0	5.8 - 8.2	6.4 - 9.1
600	M ³ /H		265	398	530	663	796	928	1061
	dbA					28	33	37	40
	Min-Max Throw, M.	Sidewall	2.4 - 3.7	3.7 - 5.2	4.9 - 7.0	6.4 - 8.8	7.6 - 10.7	8.5 - 12.2	10.1 - 14.0
		Sill & floor	1.8 - 2.7	3.1 - 4.3	4.0 - 5.5	4.9 - 7.0	5.8 - 8.2	6.7 - 9.8	7.9 - 11.0
900	M ³ /H		406	610	813	1017	1221	1423	1625
	dbA					30	35	39	42
	Min-Max Throw, M.	Sidewall	2.7 - 4.0	4.3 - 6.1	5.5 - 7.9	7.0 - 10.1	8.2 - 11.9	10.1 - 14.0	11.3 - 16.2
		Sill & floor	2.1 - 3.1	3.4 - 4.9	4.6 - 6.4	5.5 - 7.9	6.7 - 9.4	7.9 - 11.0	9.1 - 12.8
1200	M ³ /H		547	823	1097	1370	1644	1918	2193
	dbA					31	36	40	43
	Min-Max Throw, M.	Sidewall	3.1 - 4.3	4.6 - 6.7	6.1 - 8.8	7.9 - 11.0	9.4 - 13.4	10.8 - 15.5	12.2 - 17.7
		Sill & floor	2.4 - 3.4	3.7 - 5.2	4.9 - 7.0	6.1 - 8.5	7.3 - 10.4	8.2 - 11.9	9.8 - 13.7
1500	M ³ /H		690.2	1034	1379	1724	2069	2414	2757
	dbA					32	37	41	44
	Min-Max Throw, M.	Sidewall	3.4 - 4.6	4.9 - 7.0	7.0 - 9.4	8.2 - 11.9	10.1 - 14.0	11.6 - 16.5	13.4 - 18.9
		Sill & floor	2.4 - 3.7	4.0 - 5.5	5.2 - 7.3	6.4 - 9.1	7.9 - 11.3	9.4 - 12.8	10.4 - 14.9
1800	M ³ /H		829.6	1244.4	1659.2	2074	2488.8		3318.4
	dbA				27	33	38	42	45
	Min-Max Throw, M.	Sidewall	3.7 - 5.2	5.5 - 7.6	7.0 - 10.1	8.8 - 12.5	10.7 - 15.2	12.2 - 17.7	14.3 - 20.1
		Sill & floor	2.7 - 4.0	4.0 - 5.8	5.5 - 7.9	7.0 - 9.8	8.2 - 11.9	9.8 - 13.7	11.0 - 15.8

Technical Data

Performance Data - D0, D15, D30 / FL / SF / SFE

The data of this table are for D0.

Regarding D15, you have to add 10% to the Throw.

And regarding D30, you have to add 20% to the Throw.

152 mm. Duct Height

Length mm.	Velocity M/S		2	3	4	5	6	7	8
	Rating	Application							
300	M ³ /H		226	338	452	564	677	791	903
	dbA					27	32	36	40
	Min-Max Throw, M.	Sidewall	2.4 - 3.4	3.4 - 4.9	4.6 - 6.7	5.8 - 8.2	7.0 - 10.1	7.9 - 11.6	9.4 - 13.4
		Sill & floor	1.8 - 2.7	2.7 - 4.0	3.7 - 5.2	4.6 - 6.7	5.5 - 7.9	6.4 - 9.1	7.6 - 10.7
600	M ³ /H		423	636	847	1059	1272	1482	1695
	dbA					30	35	39	42
	Min-Max Throw, M.	Sidewall	2.7 - 4.0	4.3 - 6.1	5.8 - 8.2	7.3 - 10.4	8.5 - 12.2	10.4 - 14.3	11.6 - 16.5
		Sill & floor	2.1 - 3.1	3.4 - 4.9	4.6 - 6.4	5.5 - 7.9	6.7 - 9.4	7.9 - 11.3	9.1 - 12.8
900	M ³ /H		649	974	1299	1624	1948	2273	2598
	dbA					32	37	41	44
	Min-Max Throw, M.	Sidewall	3.4 - 4.6	4.6 - 6.7	6.4 - 8.8	7.9 - 11.0	9.4 - 13.4	11.0 - 15.5	12.2 - 17.7
		Sill & floor	2.4 - 3.7	4.0 - 5.5	5.2 - 7.3	6.4 - 9.1	7.9 - 11.0	8.8 - 12.5	10.4 - 14.3
1200	M ³ /H		876	1312	1751	2188	2625	3063	3502
	dbA				27	33	38	42	45
	Min-Max Throw, M.	Sidewall	3.4 - 4.9	5.5 - 7.6	7.6 - 10.1	8.8 - 12.5	10.4 - 14.9	12.2 - 17.7	14.3 - 20.1
		Sill & floor	2.7 - 4.0	4.3 - 6.1	5.5 - 7.9	7.0 - 10.1	8.2 - 11.9	10.1 - 14.6	11.3 - 16.2
1500	M ³ /H		1101.6	1651	2202	2752	3303	3854	4403
	dbA				28	34	39	43	46
	Min-Max Throw, M.	Sidewall	4.0 - 5.5	5.8 - 8.2	7.9 - 11.0	9.8 - 13.7	11.6 - 16.5	13.1 - 19.2	15.5 - 22.3
		Sill & floor	3.1 - 4.3	4.6 - 6.4	6.1 - 8.5	7.6 - 10.7	9.1 - 12.8	10.4 - 14.9	12.2 - 17.1
1800	M ³ /H		1326	1989	2652	3315	3978	4641	5304
	dbA				29	35	40	44	47
	Min-Max Throw, M.	Sidewall	4.0 - 5.8	6.4 - 8.8	7.9 - 11.6	10.7 - 14.6	11.9 - 17.4	14.6 - 20.4	16.5 - 23.2
		Sill & floor	3.4 - 4.6	4.6 - 6.7	6.4 - 9.1	8.2 - 11.3	9.8 - 13.7	11.0 - 15.8	12.8 - 18.3